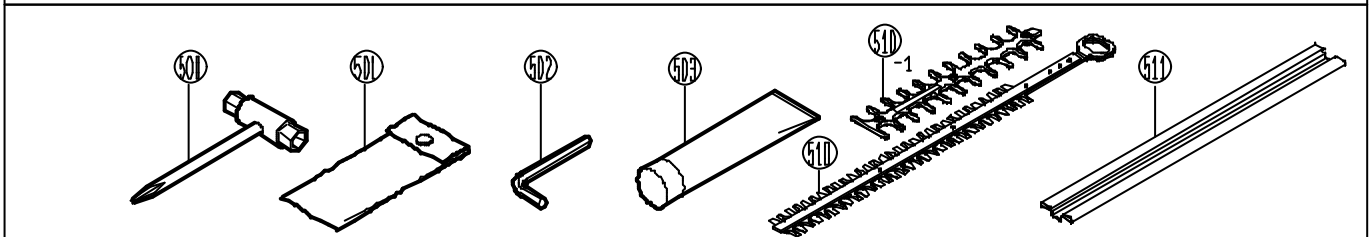
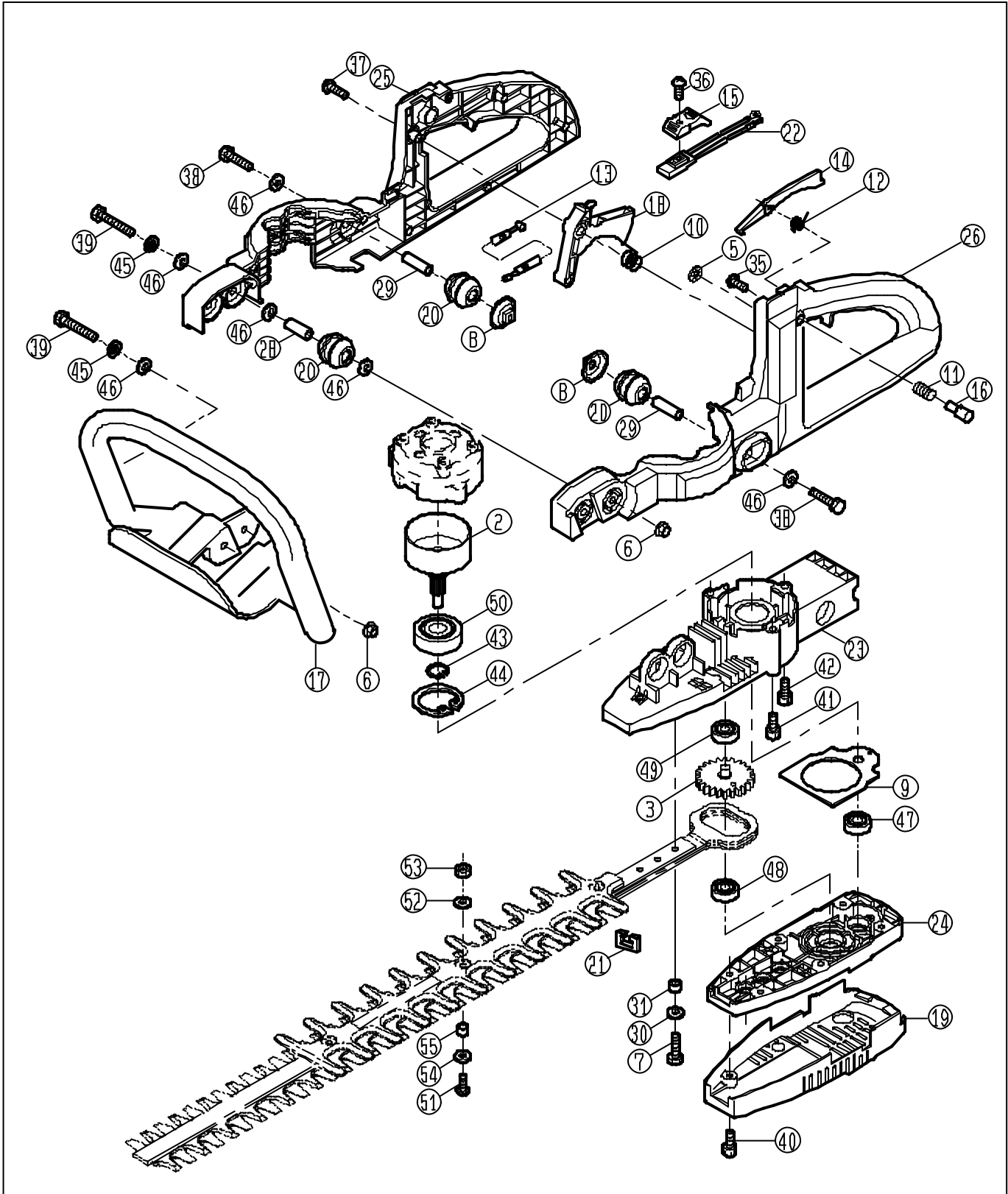


HEDGE TRIMMER

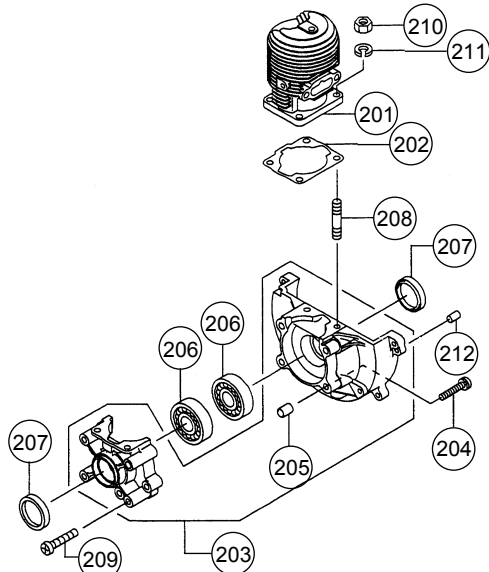
RH-450, RH-600, RH-750



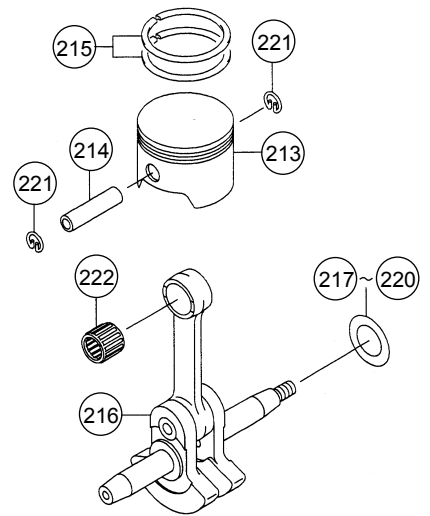
HEDGE TRIMMER

MODEL RH-450 RH-600 RH-750

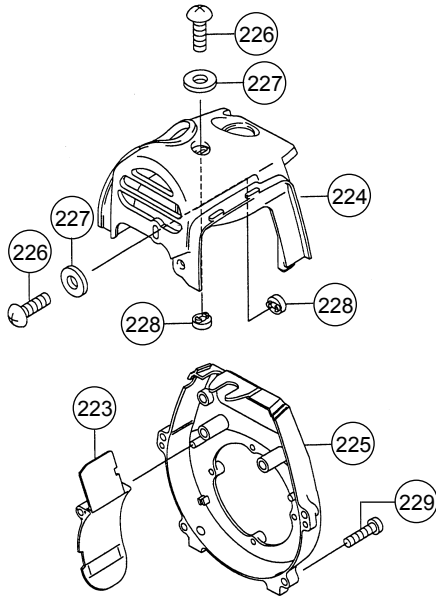
CYLINDER & CRANKCASE SYSTEM



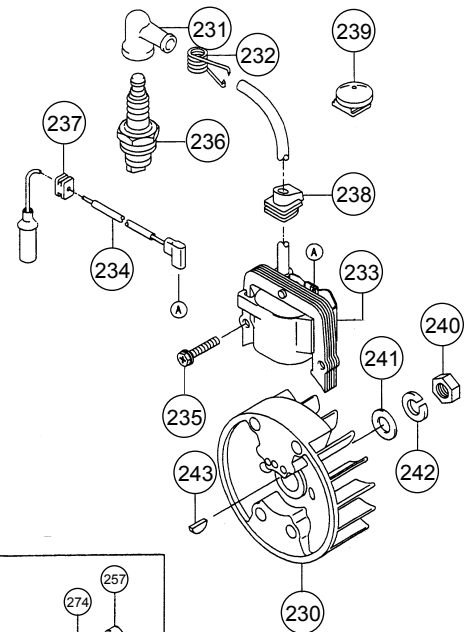
PISTON & CRANKSHAFT SYSTEM



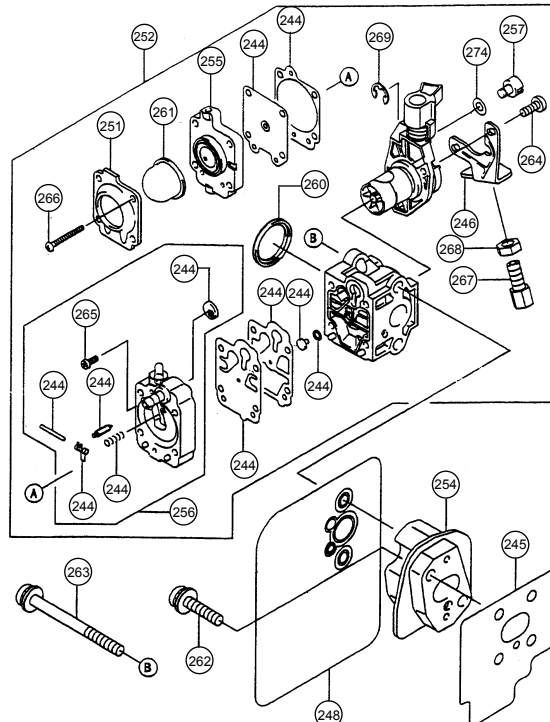
COOLING-EQUIPMENT SYSTEM



ELECTRIC-EQUIPMENT SYSTEM



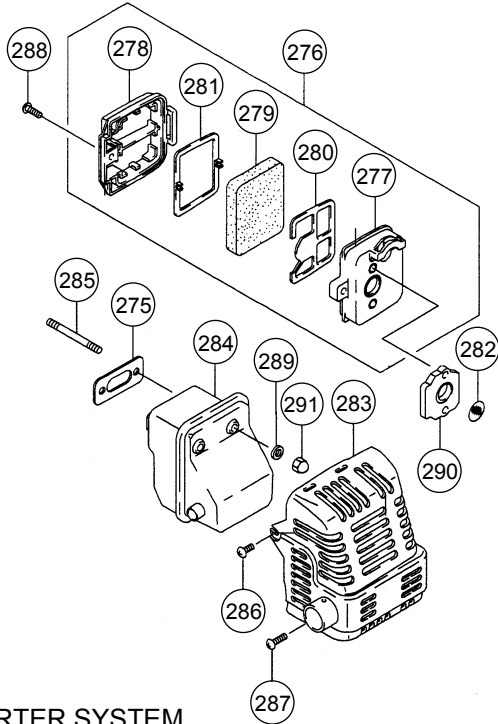
CARBURETOR SYSTEM



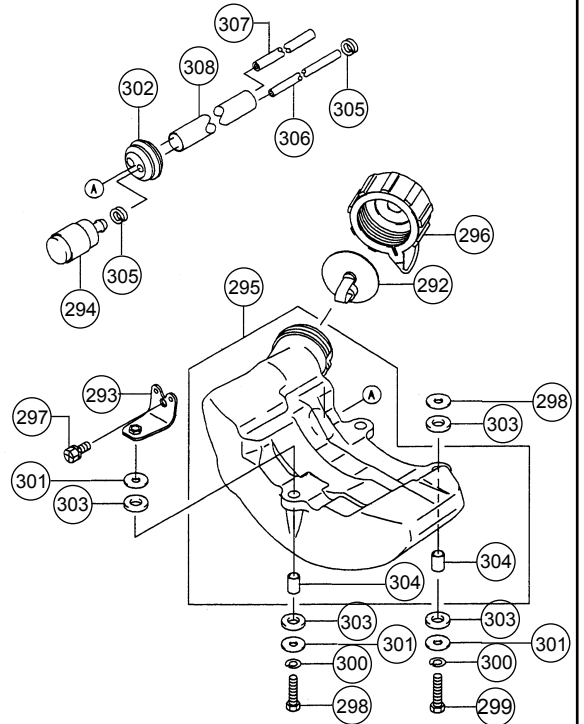
HEDGE TRIMMER

MODEL RH-450 RH-600 RH-750

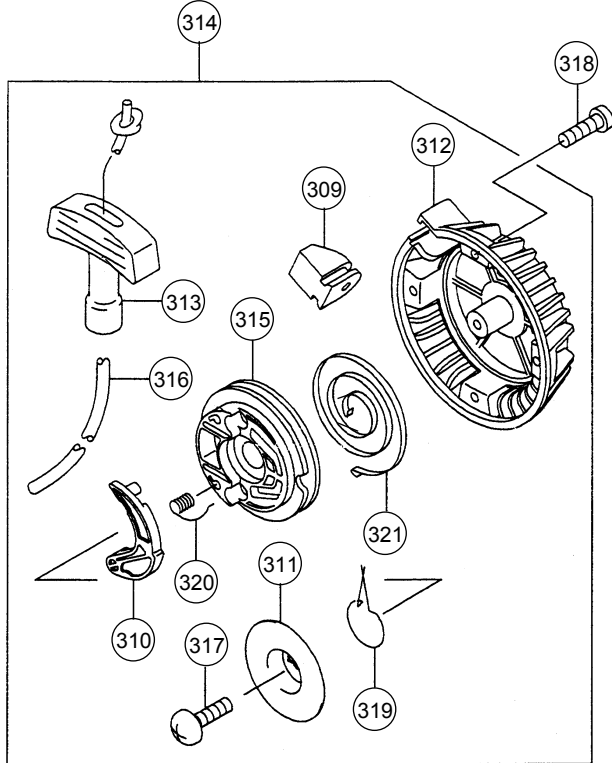
AIR-FILTER & MUFFLER SYSTEM



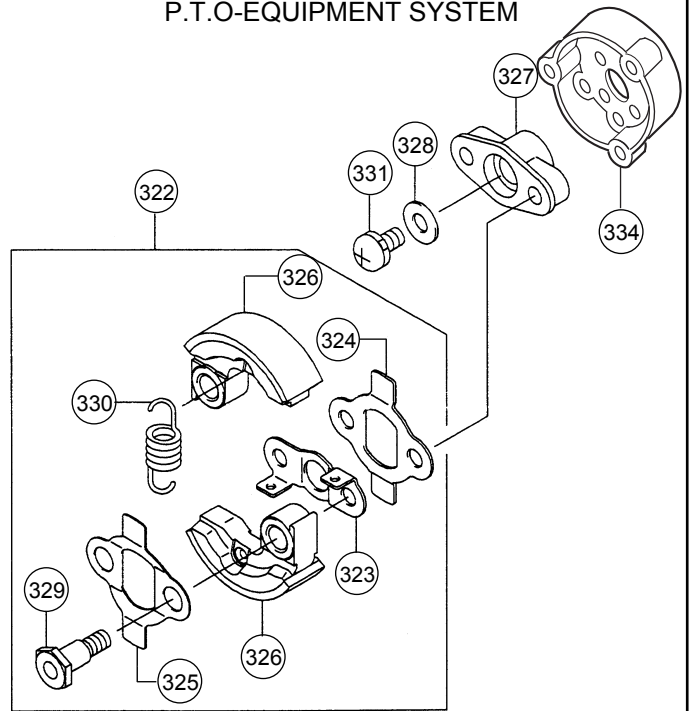
FUEL-TANK & FUEL-VALVE SYSTEM



STARTER SYSTEM



P.T.O-EQUIPMENT SYSTEM



LABEL SYSTEM

